

## BENEFITS

### Reliable and Robust Design

Proven track record for durability and longevity

### High Efficiency

Weighted CEC efficiency over 95% and peak efficiency over 96%

### Reduced Installation Cost

Integrated DC disconnect with fuses lowers material costs and labor requirements

### Attractive Aesthetics

Integrated disconnect eliminates need for visible conduits to inverter

### Ideal Output

Ideal for residential applications



## 3000m & 4000m INVERTERS

EXCEPTIONAL RELIABILITY AND PERFORMANCE

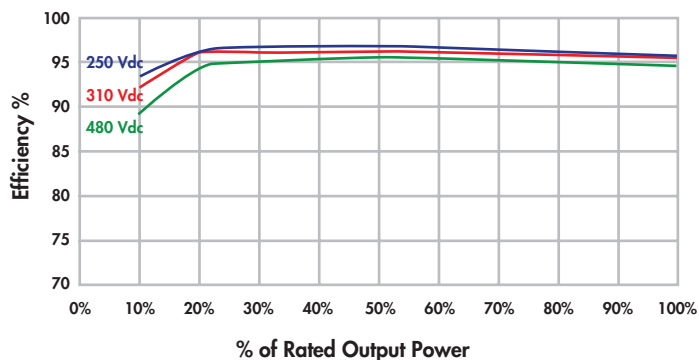


**The SunPower inverters 3000m and 4000m provide exceptional reliability combined with superior performance.** Innovative design and advanced testing have been brought together to create a durable inverter that enables optimal system performance over the long term. Both models come with a standard 10-year warranty.

#### Electrical Data

	SPR-3000m	SPR-4000m
<b>AC Power</b>	3000 W	3500 W @ 208 V / 4000 W @ 240 V
<b>AC Maximum Output Current (@ 208V, 240V)</b>	15A, 12.5A	17A, 16.6A
<b>AC Nominal Voltage / Range</b>	183 – 229 V @ 208 VAC 211 – 264 V @ 240 VAC	183 – 229 V @ 208 VAC 211 – 264 V @ 240 VAC
<b>AC Frequency / Range</b>	60 Hz / 59.3 Hz – 60.5 Hz	60 Hz / 59.3 Hz – 60.5 Hz
<b>Power Factor</b>	1	1
<b>Peak Inverter Efficiency</b>	96.6%	96.8%
<b>CEC Weighted Efficiency</b>	95.0 % @ 208 V 95.5 % @ 240 V	95.5 % @ 208 V 96.0 % @ 240 V
<b>Recommended Array Input Power (DC @ STC)</b>	3600 W	4800 W
<b>DC Input Voltage Range</b>	200 – 500 V @ 208V 200 – 500 V @ 240V	250 – 600 V @ 208 VAC 250 – 600 V @ 240 VAC
<b>Peak Power Tracking Voltage</b>	180 – 400 V @ 208 VAC 200 – 400 V @ 240 VAC	220 – 480 V @ 208 VAC 250 – 480 V @ 240 VAC
<b>DC Max. Input Current</b>	17 A	18 A
<b>DC Voltage Ripple</b>		< 5%
<b>No. of Fused String Inputs</b>		4
<b>Power Consumption: Standby / Nighttime</b>		< 7 W / 0.1 W
<b>Fused DC Disconnect</b>		Standard; Complies w NEC Standards
<b>Grounding</b>		Positive Ground

#### SPRm Efficiency Curves

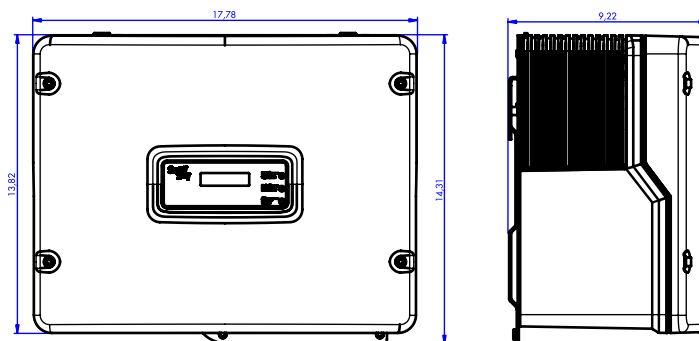


#### Mechanical Data

<b>Shipping Dimensions W x H x D inches</b>	23.5" x 18.5" x 16.0"
<b>Unit Dimensions W x H x D inches</b>	17.8" x 13.8" x 9.3"
<b>Inverter Weight</b>	88 lbs
<b>Shipping Weight</b>	94 lbs
<b>Cooling</b>	Forced Air / Sealed Electronics Enclosure
<b>Enclosure</b>	NEMA 3R
<b>Mounting</b>	Wall Mount Bracket Standard
<b>Ambient Temperature Range</b>	-13 to +113 °F

#### Warranty and Certifications

<b>Warranty</b>	10 year limited warranty
<b>Certifications</b>	Compliance: IEEE-929, IEEE-1547, UL 1741-2005, UL 1998, FCC Part 15 A & B



#### About SunPower

SunPower designs, manufactures and delivers high-performance solar electric technology worldwide. Our high-efficiency solar cells generate up to 50 percent more power than conventional solar cells. Our high-performance solar panels, roof tiles and trackers deliver significantly more energy than competing systems.